

Installation Instructions for the 7005-G5 Hotel Room Annunciator

Description

The 7005-G5 Hotel Room Annunciator Kit alerts hearing-impaired individuals inside a room that someone is present outside the room. The horn/strobe is mounted inside the room. When the pushbutton outside of the room is pressed for 5 seconds, the signal is activated. The 7005-G5 Hotel Room Annunciator Kit contains: Pushbutton (Cat. No. 620), Pushbutton Mounting Plate (Cat. No. 147-10), Horn/Strobe (Cat. No. 6536-G5), and Transformer (Cat. No. 592). You can purchase each item separately from your local Edwards distributor.

Installation


A qualified electrician familiar with National Electrical Code and local code requirements must install this product. Failure to follow the safety precautions in this instruction sheet could result in product or property damage, severe personal injury or death.



WARNING

To reduce the risk of shock, do not connect AC power until installation is complete.

1. Install Cat. No. 620 Pushbutton and Cat. No. 147-10 mounting plate (Figures 1 and 2)
 - a. Insert the back of the pushbutton through the hole in the mounting plate. Press on the button until it is properly seated within the hole.
 - b. Install a single gang 2" x 4" (51 mm x 102 mm) electrical box using suitable hardware.
 - c. Extend black and white wires using 18 AWG wire and connectors (not supplied). Route extended wires to the horn/strobe and transformer (polarity is not important). Ground in accordance with local codes and regulations.
 - d. Mount the pushbutton switch onto the electrical box using 2 screws supplied with the Cat. No. 147-10 mounting plate.
 - e. If additional pushbuttons are required, follow steps a and b above. Then, extend black and white wires using 18 AWG wire and connectors (not supplied). Route extended wires to the previously installed pushbutton switch and connect wire leads (Figure 1).
2. Install Catalog No. 6536-G5 horn/strobe (Figures 1 and 4).



WARNING

To reduce the risk of shock, do not remove lens or tamper with unit when the circuit is energized. Disconnect power and allow five (5) minutes for stored energy to dissipate before starting work or disassembly. High energy could be stored in the strobe circuit once it is energized.

The 6536-G5 horn/strobe can be mounted on any single gang 2" x 4" (51 mm x 102 mm) electrical box, double gang 4" x 4" (102 mm x 102 mm) electrical box, or standard 4" x 4" (102 mm x 102 mm) junction box with a plaster ring.

- a. Install an appropriate electrical box using suitable hardware.
 - b. Connect one wire from the 620 pushbutton to one of the horn/strobe wires (polarity is not important).
 - c. Extend the remaining horn/strobe wire to the transformer.
 - d. Mount the horn/strobe onto the electrical box using two screws (supplied).
3. Install Catalog No. 592 Transformer (Figures 1 and 3).
 - a. Select a metal electrical box that can be grounded. Mount the transformer onto the electrical box (Figure 3) so that it has ground continuity to the box and conduit system.
 - b. Install the box using suitable hardware.
 - c. Ground the box in accordance with local codes and regulations.
 - d. Connect the remaining pushbutton wire to one of the terminals marked 24V 20VA.
 - e. Connect the horn/strobe wire to the second terminal marked 24V 20VA.
 - f. Connect the transformer's primary wire leads to an appropriate 120V AC power source.
 4. When all connections are completed, press the pushbutton and verify operability of the horn/strobe.

Maintenance

Perform regularly scheduled testing at least twice a year or more often as dictated by local authorities having jurisdiction.

The 7005-G5 Hotel Room Annunciator is not serviceable or repairable. Should it fail to operate properly, contact the supplier for replacement.

Table 1. Specifications

Horn/strobe Voltage	24V 50/60 Hz	24V DC
Horn/Strobe Current	175 mA	125 mA
Transformer - Primary	120V	
- Secondary	24V 20VA	

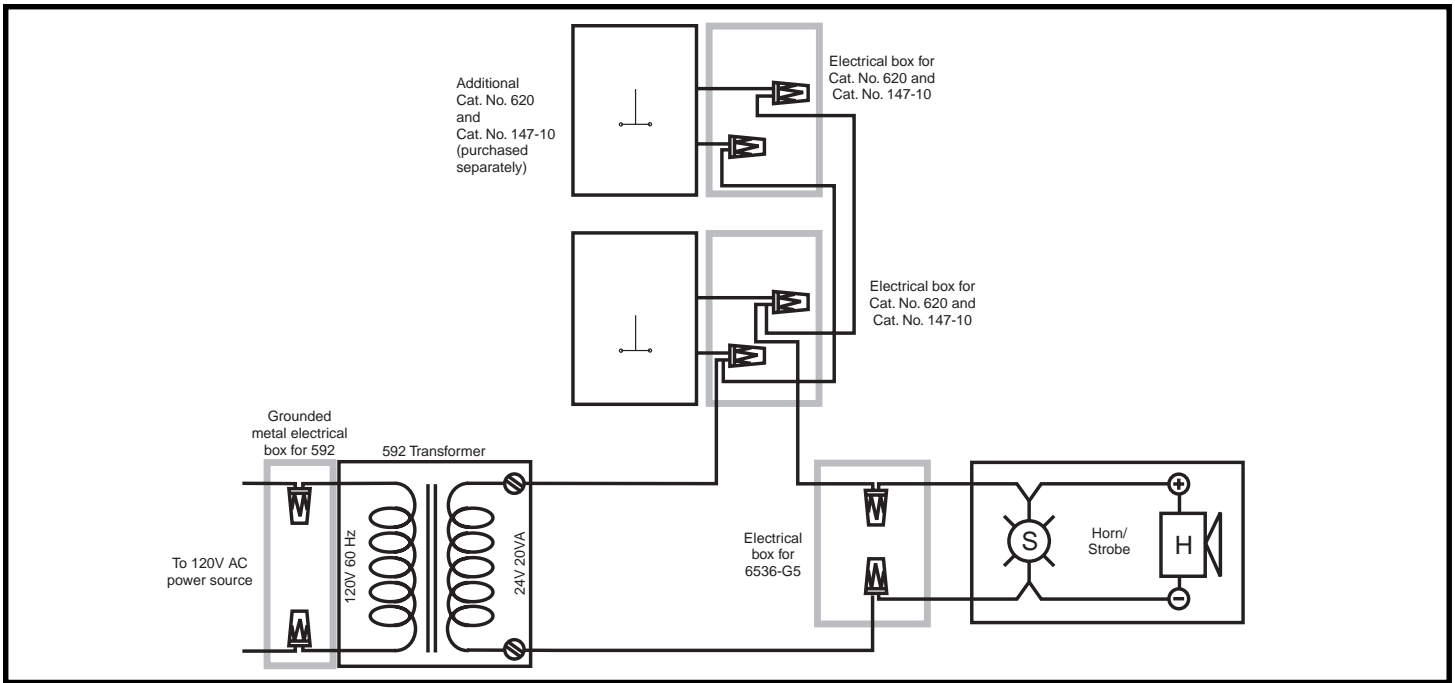


Figure 1. Connecting Catalog No. 7005-G5 Hotel Room Annunciator

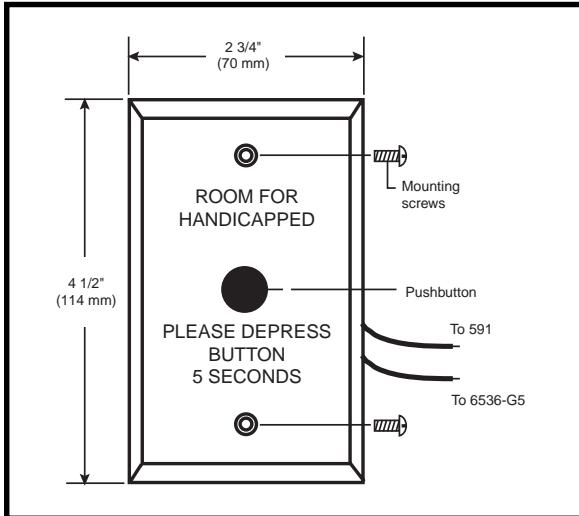


Figure 2. Catalog No. 620 and Catalog No. 147-10

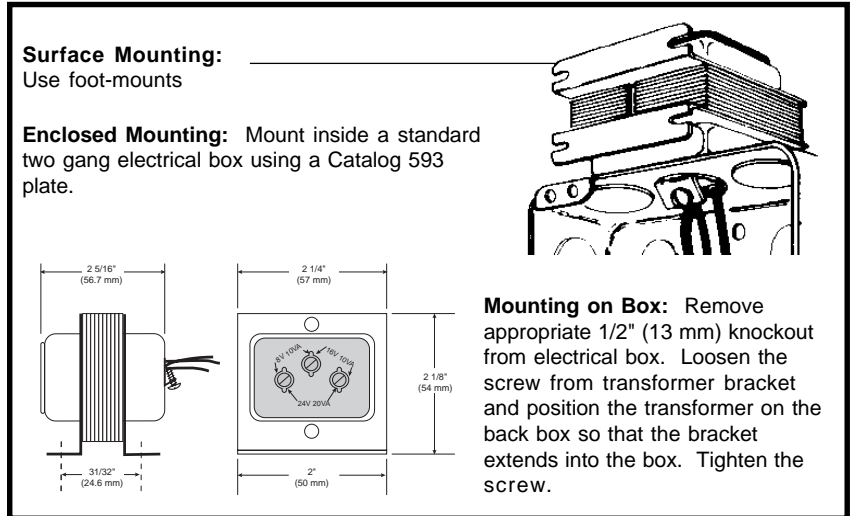


Figure 3. Catalog No. 592 Transformer

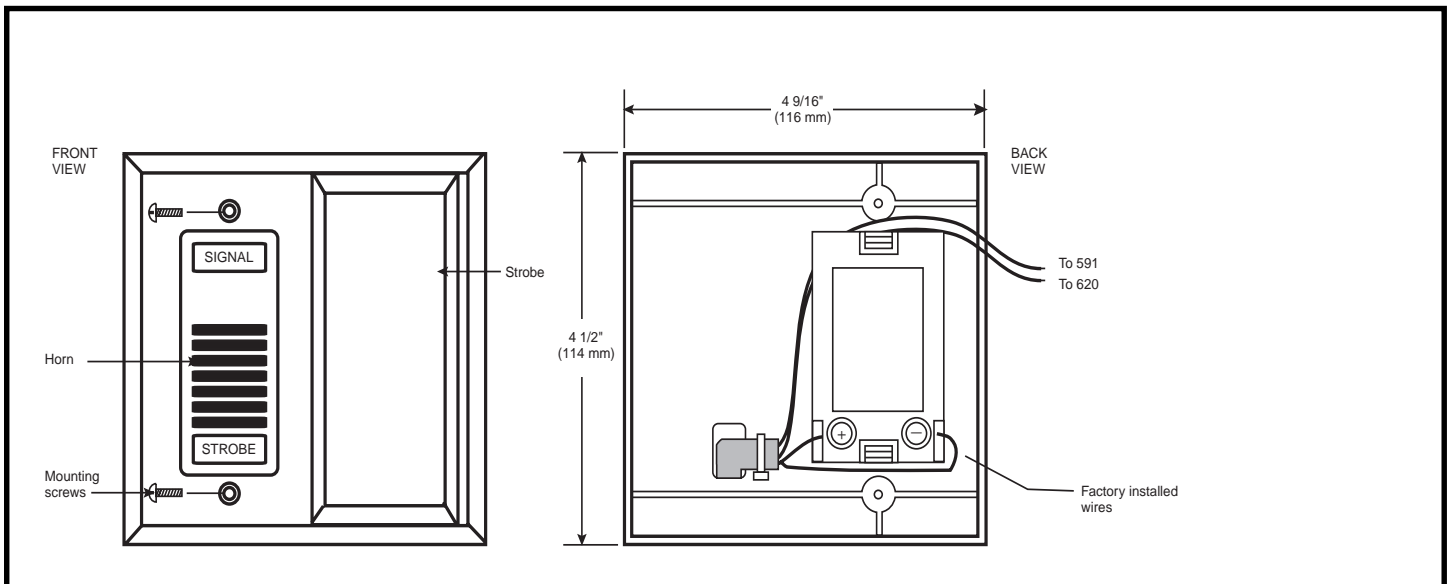


Figure 4. Catalog No. 6536-G5 Horn/Strobe